

PROPRIETARY NOTICE: This document contains proprietary information of AAT Inc. neither the document nor said proprietary information shall be published, reproduced, copied, disclosed or used for any purpose other than consideration of this document without the express written permission of a duly authorized representative of said Company.

REVISIONS			
SYM	DESCRIPTION	DATE	APPROVED
B	SEE ECO 4813	07/17/01	

NOTES: UNLESS OTHERWISE SPECIFIED.

- △ LABEL SIZE, SHAPE, AND CONTENTS SUBJECT TO CHANGE WITHOUT NOTICE.
- ANTENNA LEVELING HARDWARE PROVIDED BY AEROANTENNA PER 3.1.4 OF CMC SPECIFICATIONS.
 QTY 3 #3/8-16UNC-2B, STAINLESS STEEL, PASSIVATED HEXAGON NUTS.
 QTY 3 #3/8-16UNC-2A, 2 INCH STAINLESS STEEL, PASSIVATED HEXAGON BOLTS.
 QTY 1 AT5757520, #5/8-11UNC-2B NICKLE PLATED INSERT.
- TOLERANCE: .XX ± .03
.XXX ± .010

SPECIFICATION:

FREQUENCY: 1575 ±5 MHz
 POLARIZATION: RIGHT HAND CIRCULAR
 AXIAL RATIO: 3 dB MAX.
 RADIATION COVERAGE: 4.0 dBic 0° = 0°
 -1.0 dBic 0° < θ < 75°
 -2.5 dBic 75° ≤ θ < 80°
 -4.5 dBic 80° ≤ θ < 85°
 -7.5 dBic θ = 90°

AMPLIFIER:
 NOISE FIGURE: 2.5 dB MAX.
 IMPEDANCE: 50 OHMS
 VSWR: ≤2.0:1
 BAND REJECTION: 35 dB
 POWER HANDLING: 1 WATT
 FINISH: POLYURETHANE ENAMEL
 COLOR: WHITE
 WEIGHT: 10 Lbs.
 ALTITUDE: 20,000'
 OPERATING TEMP.: -40°C TO +70°C
 DESIGNED TO: DO-160



PART NO. DESIGNATION:

AT575-90CMCW-TNCF-000-RG-26-NM

CUSTOMER
 CMC = CMC ELECTRONICS

COLOR
 W = WHITE
 * S = SMOKE GRAY
 * O = OLIVE DRAB

CONNECTOR
 * TNCM = TNC MALE
 TNCF = TNC FEMALE
 * BNCM = BNC MALE
 BNCF = BNC FEMALE
 * MCXM = MCX MALE
 * MCXF = MCX FEMALE
 * SMAM = SMA MALE
 * SMAF = SMA FEMALE
 * NTPM = NTP MALE
 NTPF = NTP FEMALE
 * 0000 = NO TERMINATION

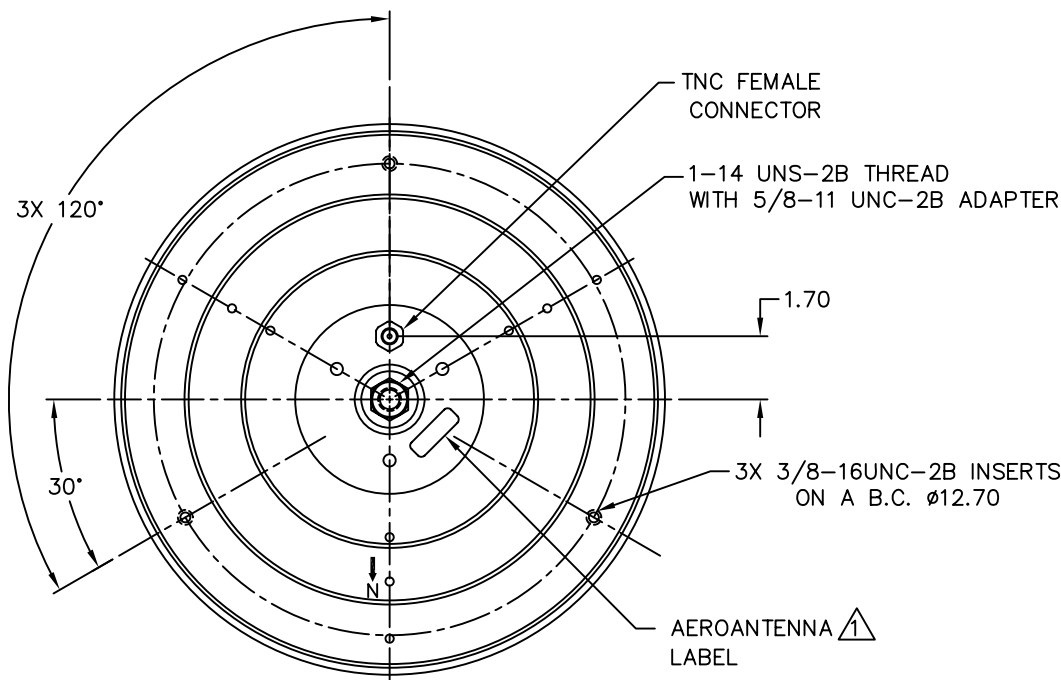
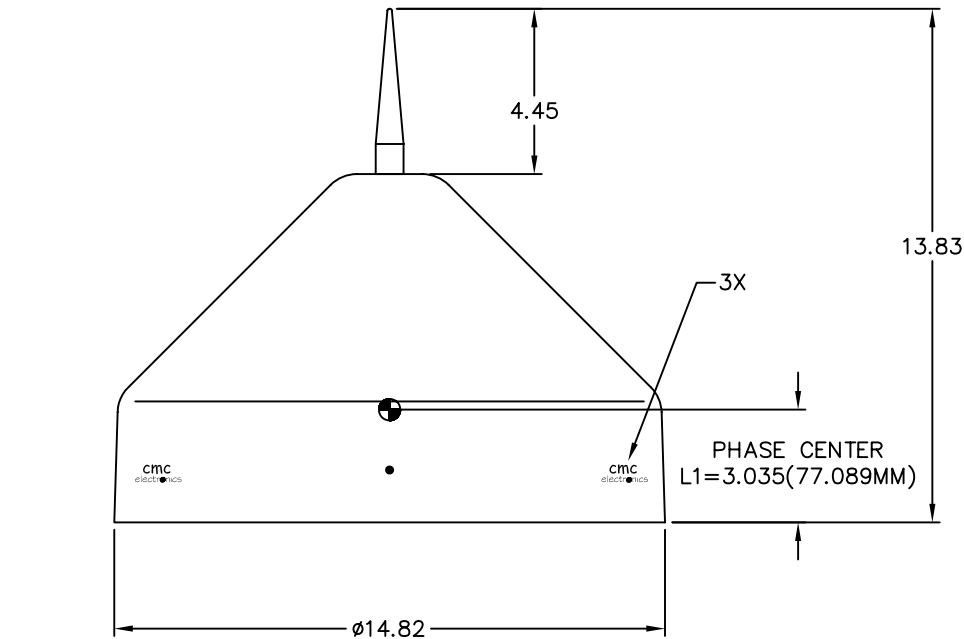
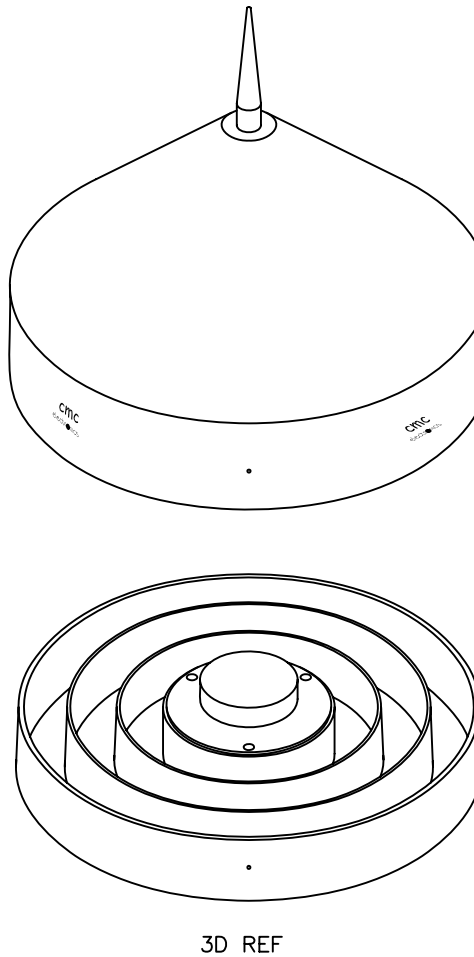
CABLE LENGTH
 000 = IN INCHES

* = OPTION NOT AVAILABLE WITH THIS MODEL
 STANDARD MODEL= AT575-90CMCW-TNCF-000-RG-26-NM

MAGNET
 NM = NO MAGNET
 * IM = INTERNAL
 * RM = REMOVABLE
 * HD = HEAVY DUTY

GAIN (± 2 db)
 00 = PASSIVE
 12 = 12 DB (20 mA)
 26 = 26 db (35 mA)
 36 = 36 db (50 mA)
 XX = OTHER

VOLTAGE
 00 = PASSIVE
 05 = +5 VDC
 RG = +5 TO +18 VDC
 XX = OTHER



DO NOT SCALE THIS DRAWING	DRAWN A. DEVERA 01/04/99
ALL DIMENSIONS ARE IN INCHES DIMENSIONING & TOLERANCING PER ANSI Y14.5M-1982	CHECKED T. JEENSALUTE 01/13/99
TOLERANCES: .XX ± .01 .XXX ± .005 FRACT = ±1/32 ANG. = ±1/2°	ENGR S. VALDES 01/05/99
✓ SURFACE ROUGHNESS PER ANSI B46.1	MFG D. LEVY 01/13/99
REMOVE BURRS AND BREAK SHARP EDGES:	Q.A. B. RUBENI 01/14/99
PART TO BE CLEAN AND OIL FREE	APPROVED G. SHACHAR 01/01/99
USED ON	DRAWN IN CAD

AeroAntenna Technology Inc

TITLE: GPS ANTENNA

SIZE B	CAGE CODE OUVG2	DRAWING NO. AT575-90CMC	REV B
-----------	--------------------	----------------------------	----------

SCALE NONE | AT575-90CMCB | SHEET 1 OF 1